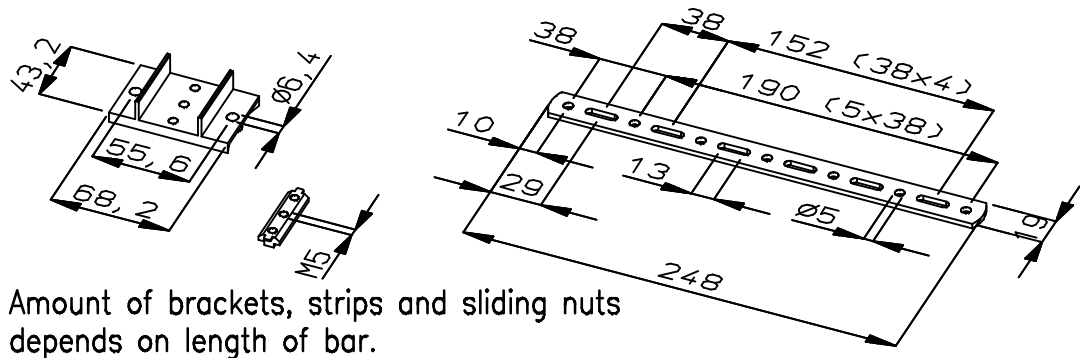


Standard mounting bracket/mounting strip/sliding nut



Amount of brackets, strips and sliding nuts depends on length of bar.

OPTIONAL: DAISY CHAIN BAR

For available effective length see Simco price list

All dimensions in mm.
All dimensions for reference only



www.simco.nl
Tel: +31 (0)573 288333

Name: ANTI STATIC BAR TYPE PERFORMAX 3
Date: 02-12-2008 ECN 2008-065 REV. B

Drawn: AB
Check: BWB
Dwg. nr.: 1520A000