

PERFOMASTER PART NUMBERS

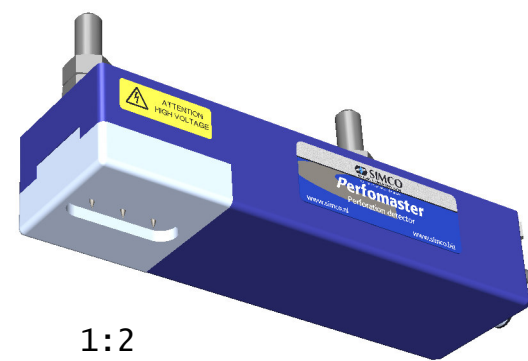
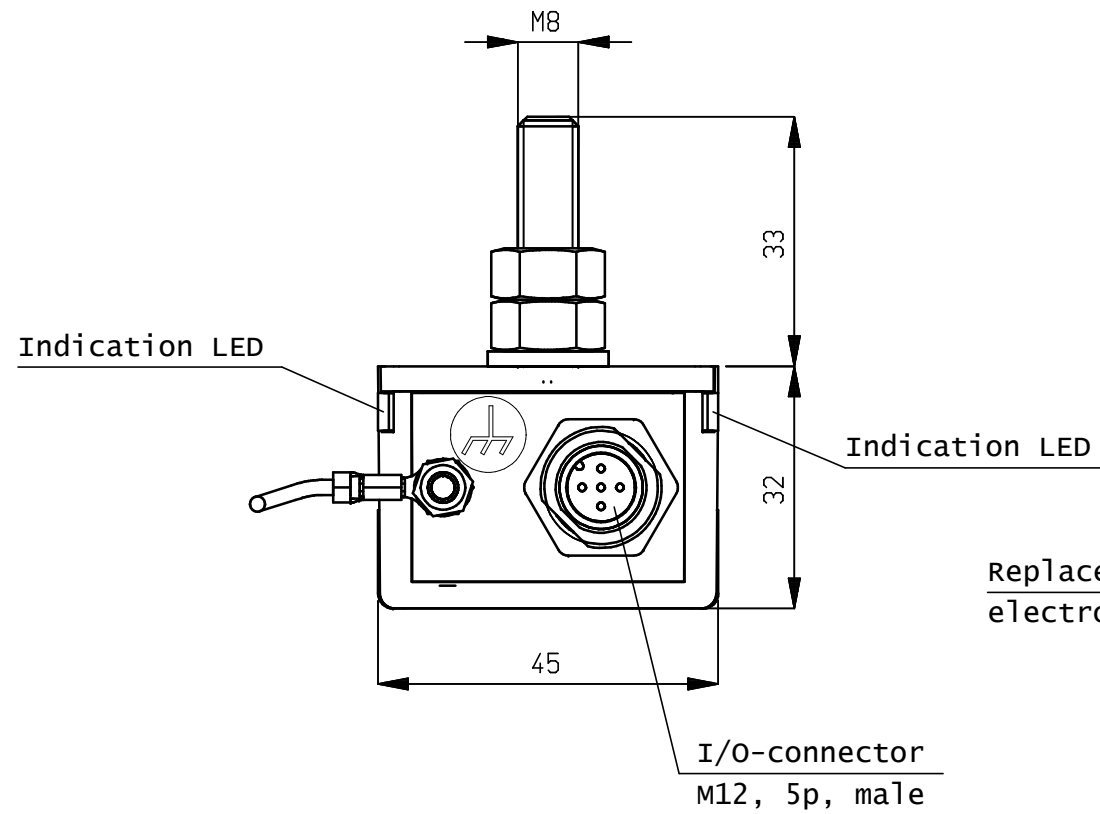
0930076100, HV control voltage 0-10 v

0930076101, HV control voltage 0-24 v

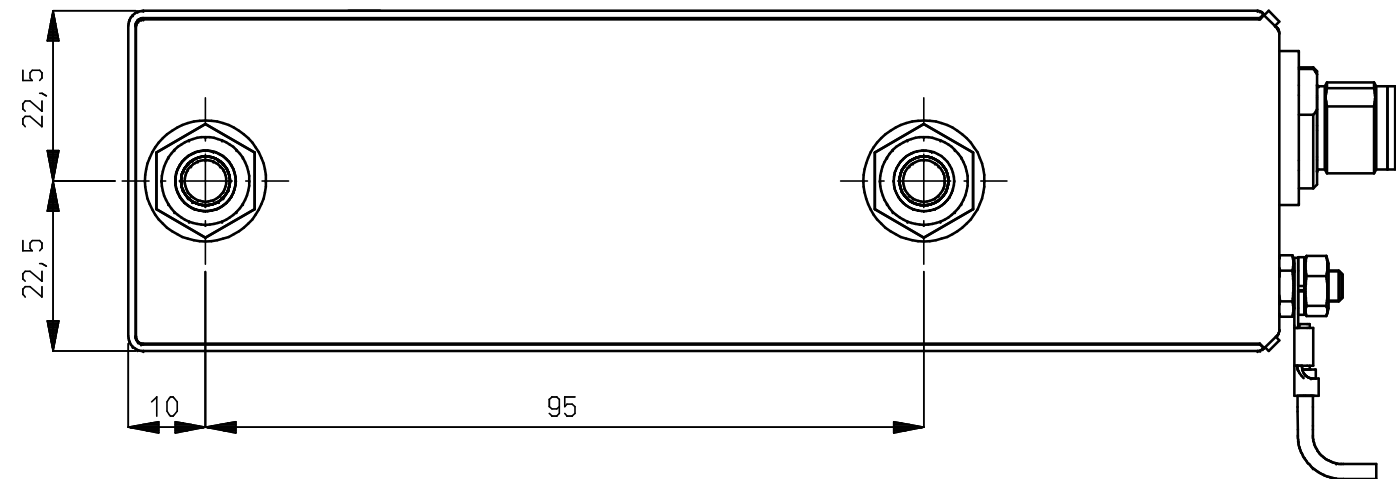
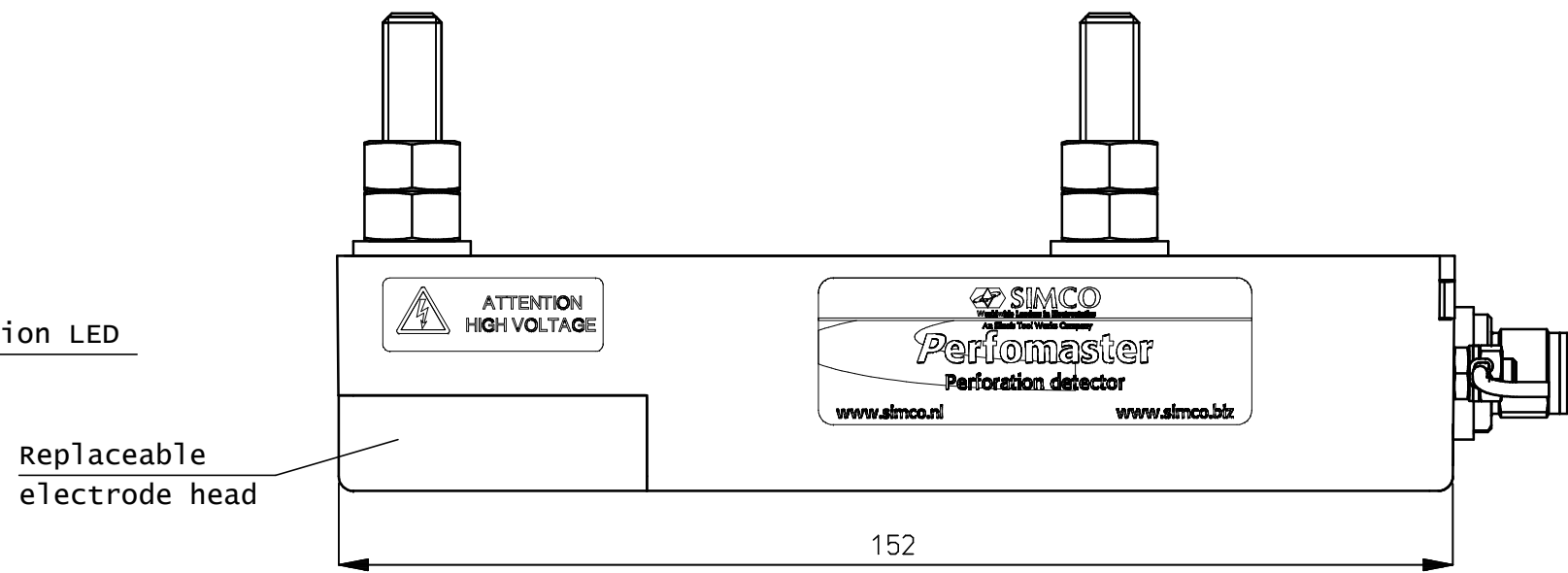
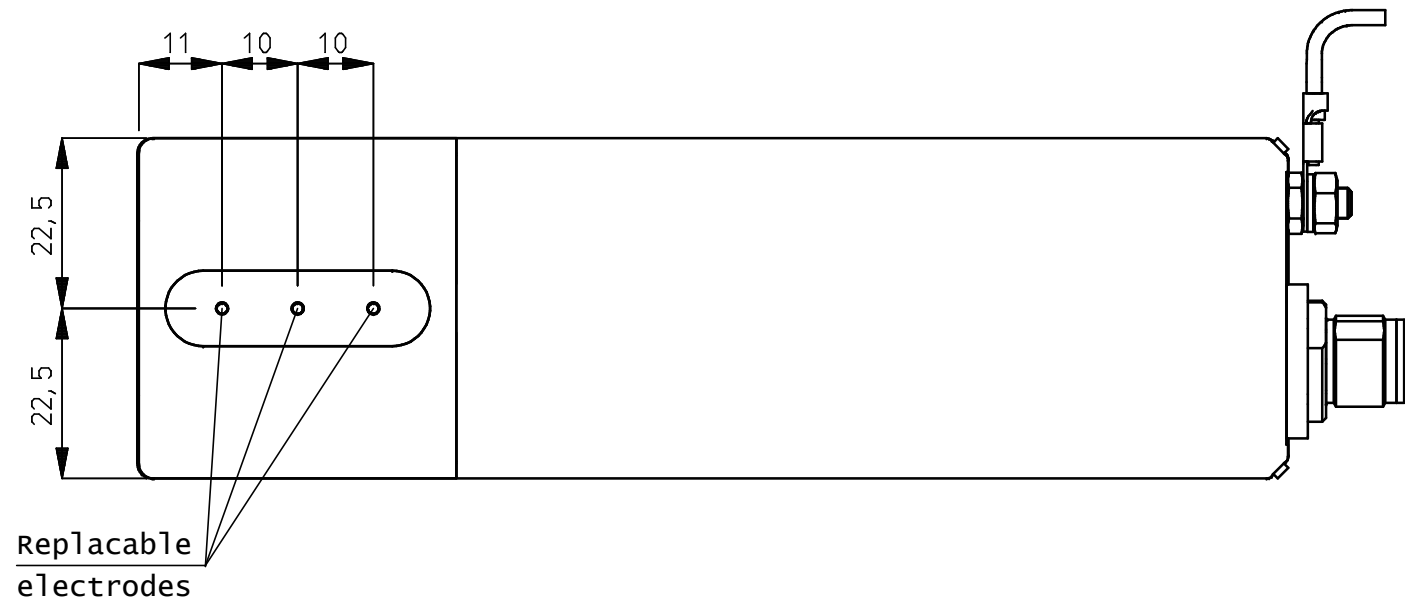
Optional connection cables with M12 connector:

- 5 m with angled connector, part no. 7519020375

- 5 m with straight connector, part no. 7519020365



1:2



 www.simco.nl Tel: +31 (0)573 288333	Name: Perforation detector type Perfomaster					Drawn: AB	Part no.: 09300761xx
	CAD generated NOT updated	Dimensions in mm	Date: 16-12-2010	A3	M: 1:1	ECN-	Check: -