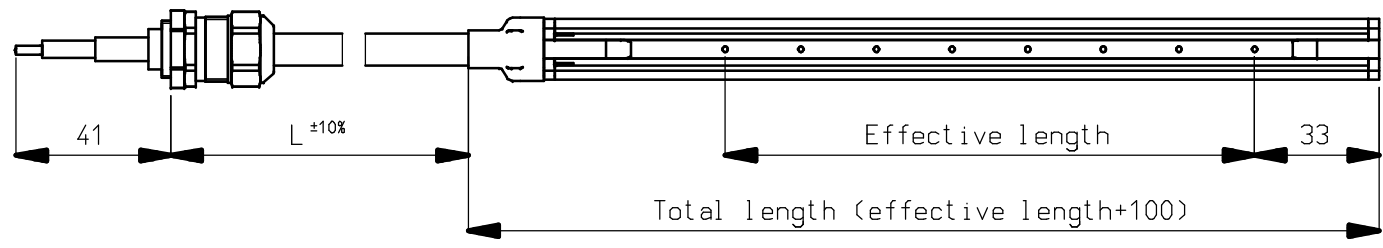
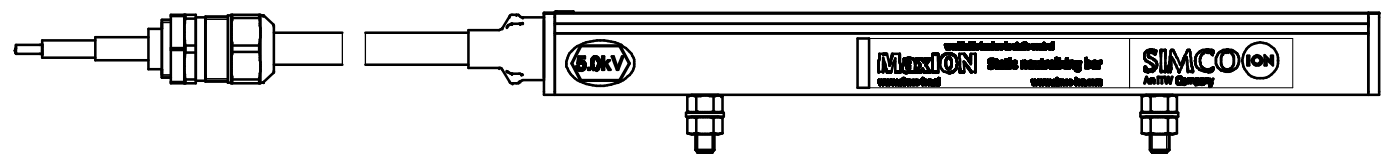
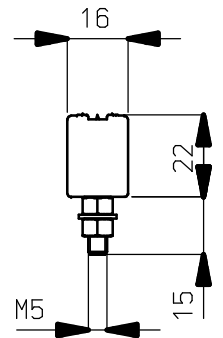
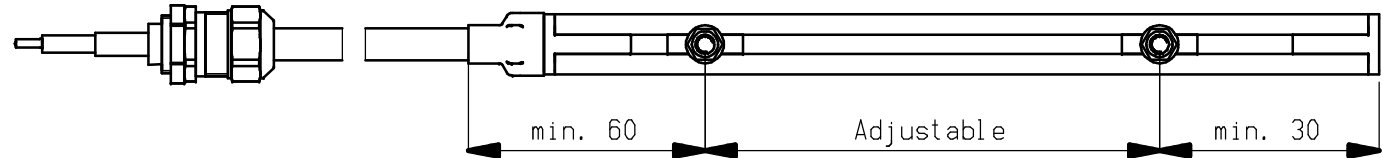
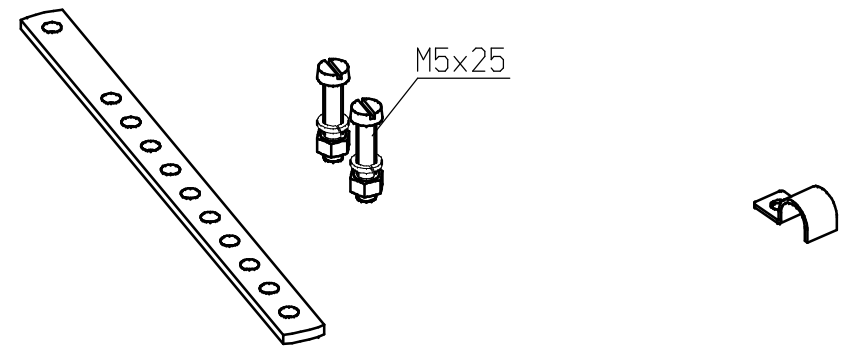


Table nuts		
Tot. L. (m)		QtY
>0 - ≤0,75		2
>0,75 - ≤1,5		3
>1,5 - ≤2,25		4
>2,25 - ≤3,0		5
>3,0 - ≤3,75		6
>3,75 - ≤4,5		7
>4,5 - ≤5,25		8
>5,25 - <6,0		9

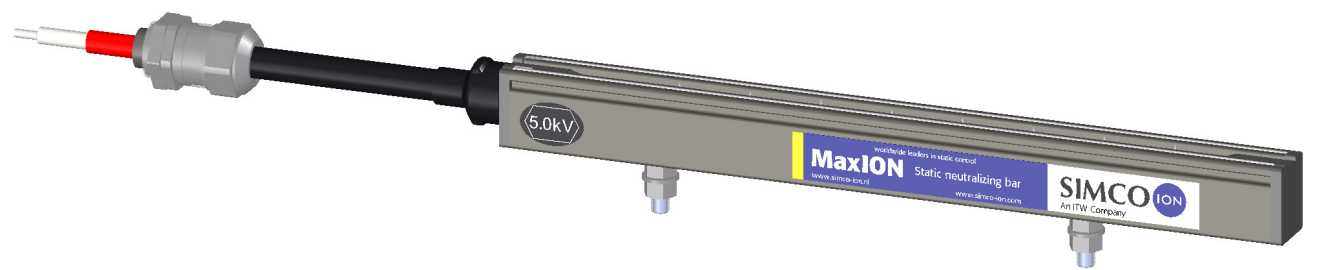


Mounting materials included



Mounting bracket
Each mounting stud 1 bracket
(include screws)

Amount of cable clamps =
(cable length(m)x2)-1



 An ITW Company www.simco-ion.nl Tel: +31 (0)573 288333	Name: Antistatic bar type MaxION					Drawn: MVN	Part no.: 1506xxxx	
	CAD generated NOT updated	Dimensions in mm	Date: 03-02-2006	A3	M: 1:2		ECN2011-043	Check: BWB