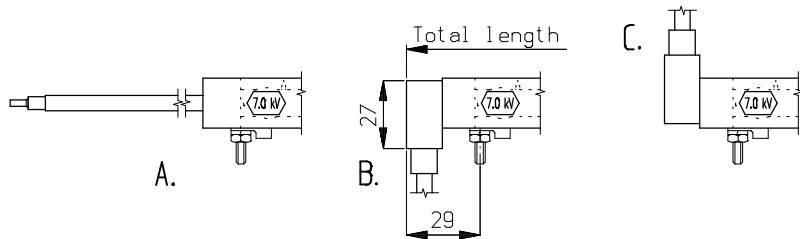
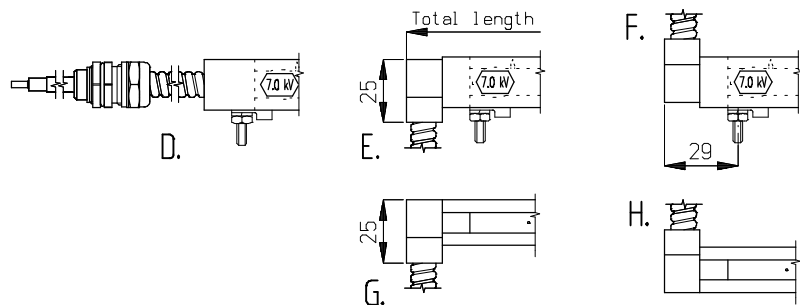


Cable exit options:

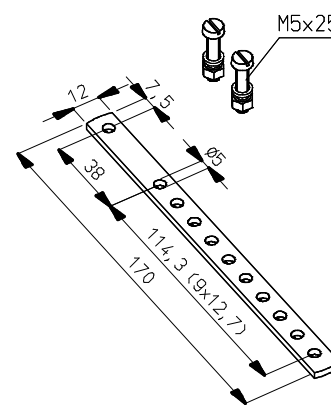
(With standard HV-cable)



(With shielded HV-cable)

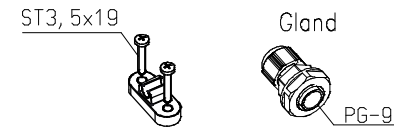


Mounting materials included



Mounting bracket  
Each mounting stud 1 bracket (include screws)

Standard HV-cable



Amount of cable clamps = (cable length(m)x4)-1

Shielded HV-cable



Amount of cable clamps = (cable length(m)x2)-1

Bar length > 2m



Extra loose mounting stud