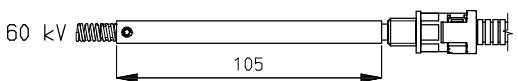
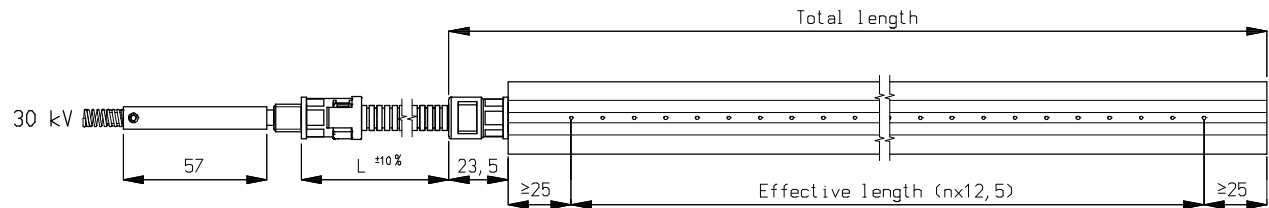
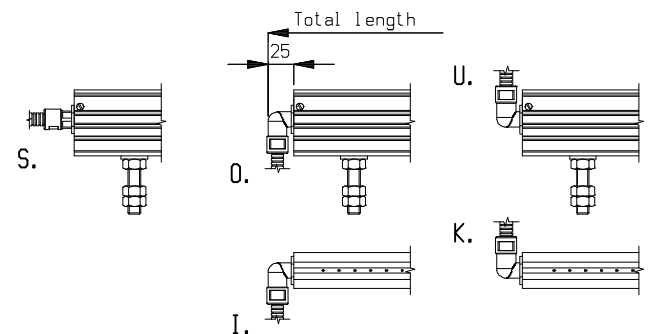


Table Mounting bolts	
total length	QTY
0 - 0,5m	2
≥0,5 - 1,0m	3
≥1,0 - 1,5m	4
≥1,5 - 2,0m	5
≥2,0 - 2,5m	6
≥2,5 - 3,0m	7
≥3,0 - 3,5m	8
≥3,5 - 4,0m	9



Cable exit options



Mounting materials included



Amount of cable clamps =
(cable length(m)x4)-1

Mounting bolt
Amount of bolts
see table

Supply voltage (DC): max. 60 kV

Use the long insulation barrel (105 mm)
from the connector set for 60 kV applications.

Use the short insulation barrel (57 mm)
from the connector set for 30 kV applications.