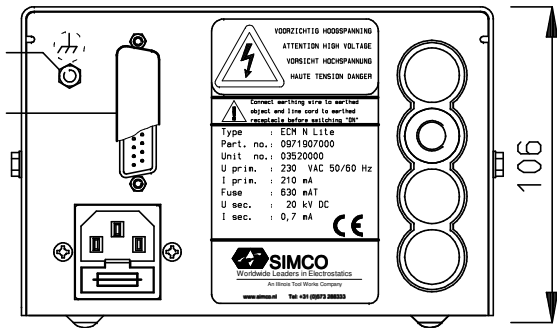


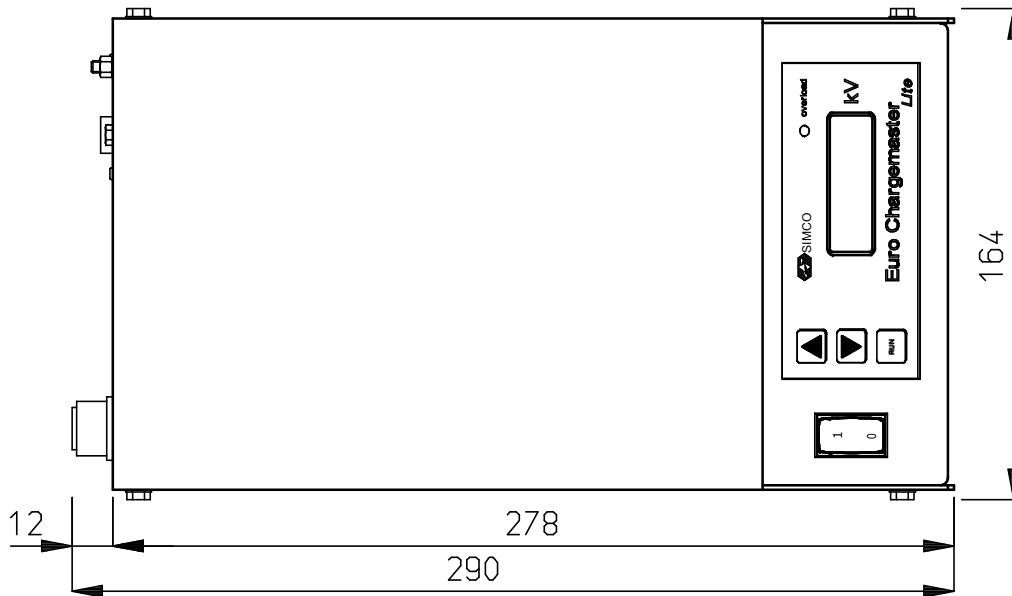


HV outputs for spring loaded connector

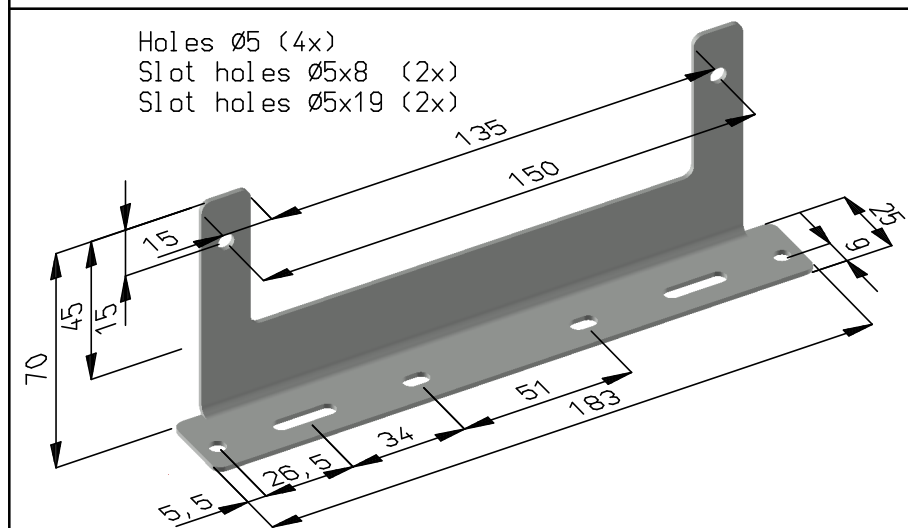
Earthing stud
25p. Sub D I/O conn.



All dimensions in mm.
All dimensions for reference only



Standard mounting bracket (2 per unit)



Holes Ø5 (4x)
Slot holes Ø5x8 (2x)
Slot holes Ø5x19 (2x)



www.simco.nl

Tel: +31 (0)573 288333

Name: ECM Lite

Date: 15-07-2004

ECN 2005-039

REV. A



Drawn: GH

Check: JK

Dwg. nr.:

0971A000